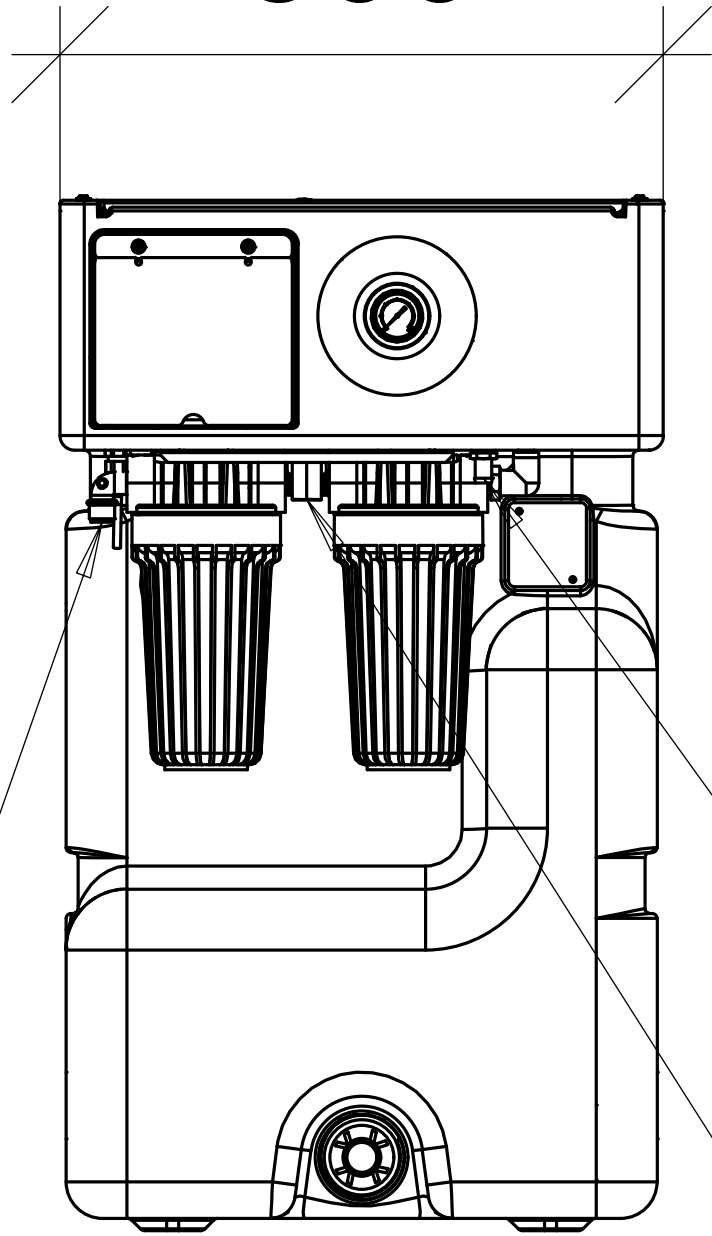


500



1/2" Female
Water in
5L/min

d13mm
Concentrate
n.2.5L/min

1/2" Male
Permeate

25mm

850

750

